

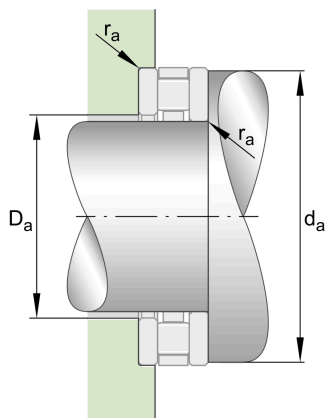
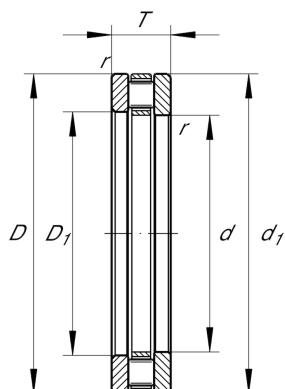
81207-TV

Axial cylindrical roller bearing

Schaeffler ID:
0007166930000

Axial cylindrical roller bearings 812, single direction, comprising K812, GS, WS

Technical information



Main Dimensions & Performance Data

d	35 mm	Bore diameter
D	62 mm	Outside diameter
T	18 mm	Height
C_a	80,000 N	Basic dynamic load rating, axial
C_{0a}	199,000 N	Basic static load rating, axial
C_{ua}	20,400 N	Fatigue load limit, axial
n_G	5,900 1/min	Limiting speed
n_{gr}	2,320 1/min	Reference speed
	0.002 kg	Weight

Additional information

	K81207-TV	Axial roller and cage assembly
D_1	37 mm	Bore diameter housing washer
	GS81207	Housing Washer
d_1	62 mm	Rip diameter shaft washer
	WS81207	Shaft washer
	LS7095	Track Washer
r_{min}	1 mm	Minimum chamfer dimension

Mounting dimensions

$d_{a min}$	58 mm	Minimum diameter shaft shoulder
$D_{a max}$	39 mm	Maximum diameter of housing shoulder
$r_{a max}$	1 mm	Maximum recess radius

Temperature range

T_{min}	-30 °C	Operating temperature min.
T_{max}	120 °C	Operating temperature max.